



Valves made of cast have a great metallurgy manufacturing flexibility and strong variability and have been through the years the most cost-efficient way of manufacture for industrial valves in the global market. D-LINE® Gate Valves are fully designed to comply with the requirements of standards such as ASME B16.34, API standards and others.

## APPLICATIONS

D-LINE® Gate Valves serve multi-national end users in a wide range of applications in many industries including:







- Water treatment
- Food industries
- Mining
- Pharmaceutical
- Oil refinery industries
- Chemical & Petrochemical
- Ship building industries

## DESIGN FEATURES

- Outside screw and yoke
- Face to face to per ANSI B16.10
- Flange dimensions to per ASME B16.5
- Shell wall thickness to per ASME B16.34
- Valve design to per API 600
- Epoxy painted
- Universal trim 8
- Flexible wedge
- Gear operator from 18" and upper
- Metal seat

TEST SPECIFICATION			
TEST ACCORDANCE TO PER API 598			
CLASS	150	300	600
NOMINAL PRESSURE	285PSI	740PSI	1440PSI
SHELL TEST (WATER)	450PSI	1125PSI	2225PSI
SEAT TEST (WATER)	315PSI	815PSI	1630PSI
AIR TEST	80PSI	80PSI	80PSI

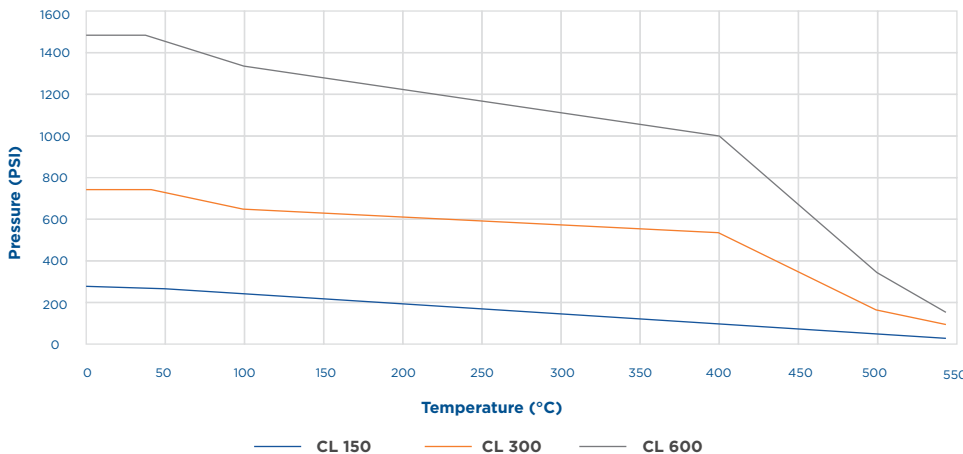
FEATURES	
SIZE	2" - 24"
CLASS	150/300/600
CONNECTION	FLANGED RF
TEMPERATURE	-29°C TO 538°C

MARKING BODY		
1118F	1318F	1618F
		
2	2	2
150	300	600
WCB	WCB	WCB
		

## PRESSURE - TEMPERATURE RATING

These are conservative guide for general service.

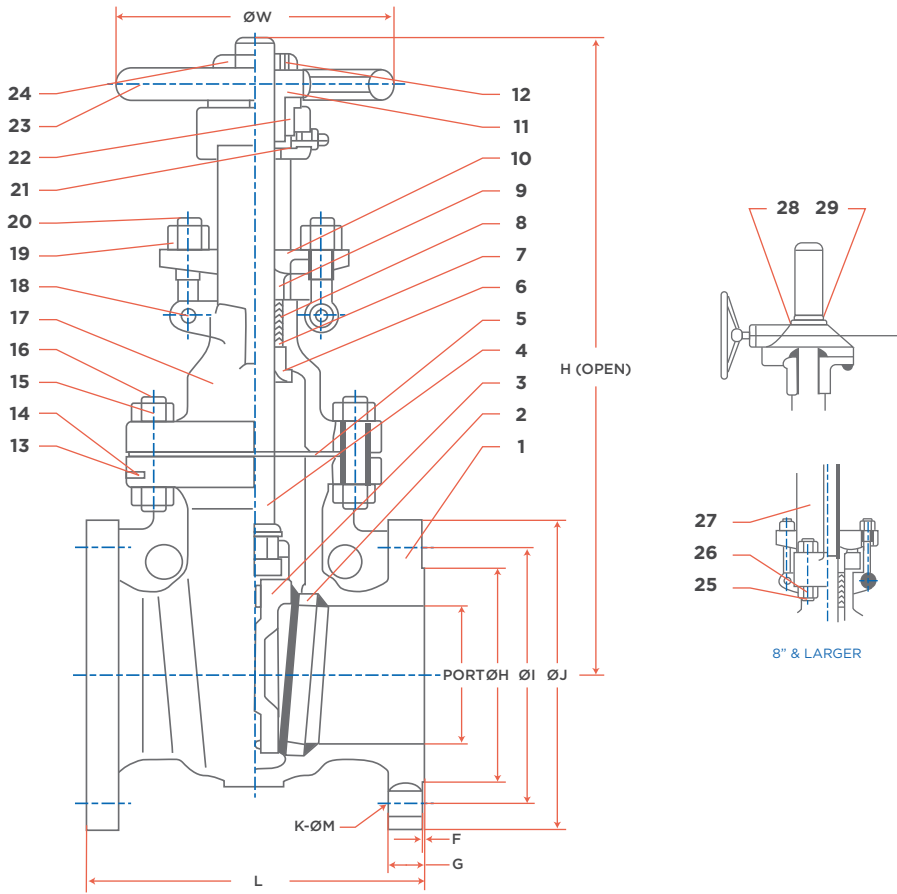
Previous experience in process or new development may permit applications above those shown.



Carbon Steel A-216 Gr. WCB  
ASME B16.34 Ratings  
Material Limits

# DIMENSIONS

## CLASS 150



VALVE MATERIAL LIST		
No.	DESCRIPTION	MATERIAL
1	BODY	ASTM A-216 Gr. WCB
2	SEAT RING	ASTM A-105 + STL#6
3	WEDGE	ASTM A-216 Gr. WCB + 13Cr
4	STEM	ASTM A-182 Gr. F6a
5	GASKET	SS304 + GRAPHITE
6	BACK SEAT	ASTM A-276 Gr. 410
7	PACKING	GRAPHITE
8	PACKING	SS304 + GRAPHITE
9	GLAND	ASTM A-276 Gr. 410
10	GLAND FLANGE	ASTM A-216 Gr. WCB
11	STEM NUT	ASTM A-216 Gr. D-2
12	SCREW	ASTM A-29 Gr. 1035
13	NAMEPLATE	SS304
14	RIVET	SS304
15	NUT	ASTM A-194 Gr. 2H
16	BOLT	ASTM A-193 Gr. B7
17	BONNET	ASTM A-216 Gr. WCB
18	PIN	ASTM A-536 Gr. 1035
19	EYE NUT	ASTM A-194 Gr. 2H
20	EYE BOLT	ASTM A-193 Gr. B7
21	OIL FILTER	CARBON STEEL
22	SLEEVE	ASTM A-29 Gr. 1020
23	HANDWHEEL	ASTM A-536 Gr. 65-45-12
24	LOCK NUT	ASTM A-29 Gr. 1035
25	YOKE BOLT	ASTM A-193 Gr. B7
26	YOKE NUT	ASTM A-194 Gr. 2H
27	YOKE	ASTM A-216 Gr. WCB
28	GEAR OPERATOR	ASTM A-536 Gr. 60-42-10
29	GREASE FITTING	ASTM A-536 Gr. 60-42-10

VALVE DIMENSIONS & WEIGHTS															
MODEL	SIZE		PORT	L	H	ØW	ØJ	ØI	ØH	G	F	K	ØM	WEIGHT (KG)	TORQUE (LBS-INCH)
1118F-09	2"	DN50	2.00	7.00	15.20	7.88	5.91	4.75	3.63	0.56	0.06	4.00	0.75	14.00	252.80
1118F-10	2 - 1/2"	DN65	2.50	7.48	17.13	7.88	7.09	5.50	4.13	0.63	0.06	4.00	0.75	19.00	284.20
1118F-11	3"	DN80	3.00	8.00	19.02	9.84	7.48	6.00	5.00	0.69	0.06	4.00	0.75	26.00	425.60
1118F-12	4"	DN100	4.00	9.02	23.35	9.84	9.05	7.50	6.19	0.88	0.06	8.00	0.75	40.00	494.80
1118F-13	5"	DN125	5.00	10.00	26.77	11.81	10.04	8.50	7.31	0.88	0.06	8.00	0.87	48.00	662.50
1118F-14	6"	DN150	6.00	10.51	30.31	11.81	11.03	9.50	8.50	0.94	0.06	8.00	0.87	60.00	857.60
1118F-15	8"	DN200	8.00	11.50	37.60	13.78	13.58	11.75	10.63	1.06	0.06	8.00	0.87	93.00	1151.20
1118F-16	10"	DN250	10.00	13.00	45.39	15.75	15.95	14.25	12.75	1.13	0.06	12.00	1.00	150.00	1592.80
1118F-17	12"	DN300	12.00	14.02	52.83	17.72	19.09	17.00	15.00	1.19	0.06	12.00	1.00	223.00	2833.10
1118F-18	14"	DN350	14.00	15.00	60.00	19.69	21.06	18.75	16.25	1.31	0.06	12.00	1.14	337.00	4115.10
1118F-19	16"	DN400	16.00	16.00	76.76	22.05	23.43	21.25	18.50	1.38	0.06	12.00	1.14	410.00	4604.10
1118F-20	18"	DN420	18.00	17.00	89.92	N/A	25.00	22.75	21.00	1.50	0.06	16.00	1.26	621.00	10797.90
1118F-21	20"	DN500	20.00	18.00	77.95	N/A	27.56	25.00	23.00	1.63	0.06	20.00	1.26	780.00	13541.60
1118F-23	24"	DN800	24.00	20.00	93.70	N/A	32.09	29.50	27.25	1.82	0.08	20.00	1.38	1140.00	20358.70

\*WEIGHT IS ESTIMATED

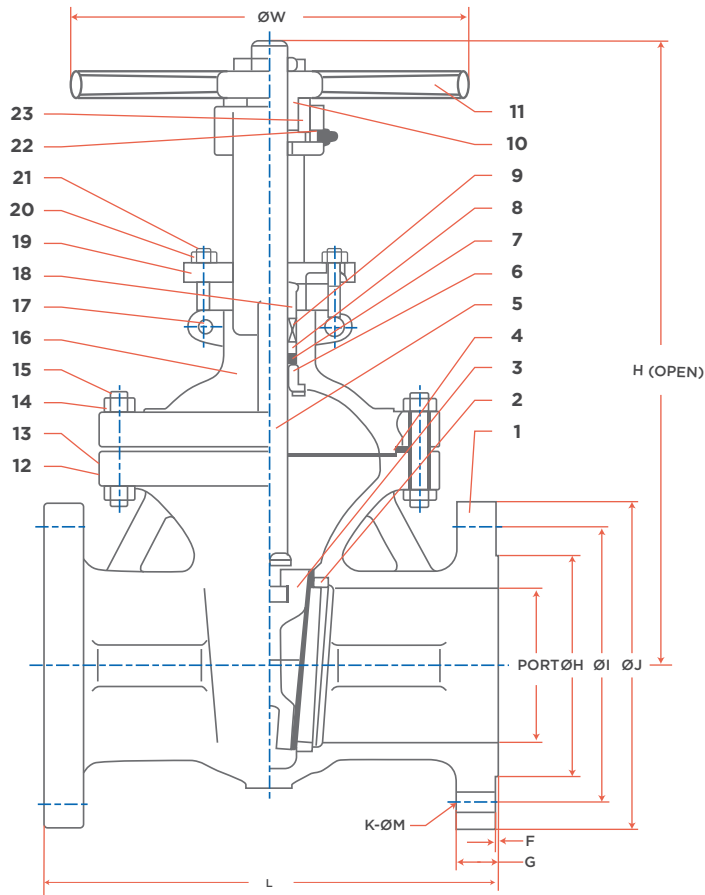
\*ALL DIMENSIONS ARE EXPRESSED IN INCHES



Scan the QR CODE to see our available studs and gasket.

# DIMENSIONS

## CLASS 300



### VALVE MATERIAL LIST

No.	DESCRIPTION	MATERIAL
1	BODY	ASTM A-216 Gr. WCB
2	SEAT RING	ASTM A-105 + STL#6
3	WEDGE	ASTM A-216 Gr. WCB + 13Cr
4	GASKET	304 + GRAPHITE
5	STEM	ASTM A-182 Gr. F6a
6	BACK SEAT	ASTM A-276 Gr. 410
7	PACKING	GRAPHITE
8	SPACER	ASTM A-276 Gr. 410
9	PACKING	SS WIRE + GRAPHITE
10	STEM NUT	ASTM A-439 Gr. D-2
11	HANDWHEEL	ASTM A-536 Gr. 65-45-12
12	NAMEPLATE	SS304
13	RIVET	SS304
14	NUT	ASTM A-194 Gr. 2H
15	BOLT	ASTM A-193 Gr. B7
16	BONNET	ASTM A-216 Gr. WCB
17	PIN	ASTM A-29 Gr. 1035
18	GLAND	ASTM A-276 Gr. 410
19	GLAND FLANGE	ASTM A-216 Gr. WCB
20	EYE NUT	ASTM A-194 Gr. 2H
21	EYE BOLT	ASTM A-193 Gr. B7
22	OIL FILLER	CARBON STEEL
23	SLEEVE	AISI 1020
24	LOCK NUT	AISI 1020
25	SCREW	ASTM A-29 Gr. 1035

### VALVE DIMENSIONS & WEIGHTS

MODEL	SIZE	PORT	L	H	ØW	ØJ	ØI	ØH	G	F	K	ØM	WEIGHT (KG)	TORQUE (LBS-INCH)	
1318F-09	2"	DN50	2.00	8.50	16.54	7.88	6.50	5.00	3.62	0.82	0.06	8.00	0.75	25.00	265.50
1318F-10	2 - 1/2"	DN65	2.50	9.50	17.72	7.88	7.50	5.88	4.12	0.94	0.06	8.00	0.88	36.30	305.80
1318F-11	3"	DN80	3.00	11.12	20.71	9.84	8.25	6.62	5.00	1.06	0.06	8.00	0.88	46.50	442.50
1318F-12	4"	DN100	4.00	12.00	24.41	9.84	10.00	7.88	6.19	1.19	0.06	8.00	0.88	69.50	531.20
1318F-13	5"	DN125	5.00	15.00	27.32	11.81	10.98	9.25	7.32	1.31	0.06	8.00	0.88	96.00	839.00
1318F-14	6"	DN150	6.00	15.88	32.44	13.78	13.00	10.62	8.50	1.38	0.06	12.00	0.88	132.00	1239.00
1318F-15	8"	DN200	8.00	16.50	39.45	15.75	15.00	13.00	10.62	1.56	0.06	12.00	1.00	215.00	1681.40
1318F-16	10"	DN250	10.00	18.00	47.32	17.72	17.50	15.25T	12.75	1.81	0.06	16.00	1.13	310.00	2787.80
1318F-17	12"	DN300	12.00	19.75	55.31	19.69	20.50	17.75	15.00	1.94	0.06	16.00	1.25	460.00	3982.50

\*WEIGHT IS ESTIMATED

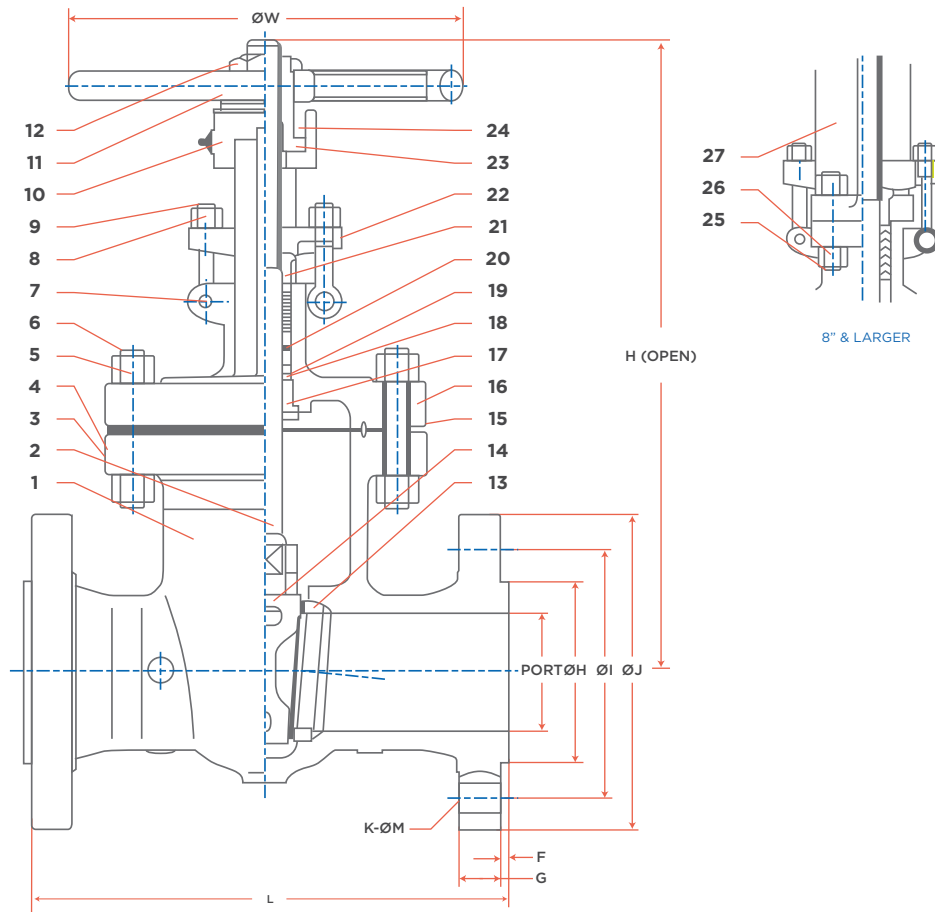
\*ALL DIMENSIONS ARE EXPRESSED IN INCHES



Scan the QR CODE to see our available studs and gasket.

# DIMENSIONS

## CLASS 600



VALVE MATERIAL LIST		
No.	DESCRIPTION	MATERIAL
1	BODY	ASTM A-216 Gr. WCB
2	STEM	ASTM A-182 Gr. F6
3	RIVET	SS304
4	NAME PLATE	SS304
5	NUT	ASTM A-194 Gr. 2H
6	BOLT	ASTM A-193 Gr. B7
7	PIN	ASTM A-29 Gr. 1045
8	EYE NUT	ASTM A-194 Gr. 2H
9	EYE BOLT	ASTM A-193 Gr. B7
10	OIL FILLER	CARBON STEEL
11	HANDWHEEL	ASTM A-536 Gr. 66-45-12
12	LOCK NUT	AISI 1020
13	SEAT RING	ASTM A-105 + STL#6
14	WEDGE	ASTM A-216 Gr. WCB + 13Cr
15	GASKET	RING JOINT - SOFT IRON
16	BONNET	ASTM A-216 Gr. WCB
17	BACK SEAT	ASTM A-276 Gr. 410
18	PACKING	SS WIRE + GRAPHITE
19	PACKING	SS WIRE + GRAPHITE
20	DISTANCE RING	ASTM A-276 Gr. 410
21	GLAND	ASTM A-276 Gr. 410
22	GLAND FLANGE	ASTM A-216 Gr. WCB
23	STEM NUT	ASTM A-439 Gr. D-2
24	SLEEVE	AISI 1020
25	YOKE BOLT	ASTM A-193 Gr. B7
26	YOKE NUT	ASTM A-194 Gr. 2H
27	YOKE	ASTM A-216 Gr. WCB

VALVE DIMENSIONS & WEIGHTS															
MODEL	SIZE	PORT	L	H	ØW	ØJ	ØI	ØH	G	F	K	ØM	WEIGHT (KG)	TORQUE (LBS-INCH)	
1618F-09	2"	DN50	2.00	11.50	17.32	9.84	6.50	5.00	3.62	1.00	0.25	8.00	0.75	32.50	973.50
1618F-10	2 - 1/2"	DN65	2.50	13.00	19.80	9.84	7.50	5.88	4.12	1.12	0.25	8.00	0.87	50.00	1106.30
1618F-11	3"	DN80	3.00	14.00	21.46	9.84	8.25	6.62	5.00	1.25	0.25	8.00	0.87	61.80	1416.00
1618F-12	4"	DN100	4.00	17.00	26.10	11.81	10.83	8.50	6.19	1.50	0.25	8.00	1.00	111.40	1902.80
1618F-14	6"	DN150	6.00	22.00	32.99	17.72	14.00	11.50	8.50	1.88	0.25	12.00	1.12	231.80	4248.00
1618F-15	8"	DN200	7.87	26.00	43.78	19.69	16.50	13.75	10.62	2.19	0.25	12.00	1.25	430.00	4867.50
1618F-16	10"	DN250	9.75	31.00	50.59	25.20	20.00	17.00	12.75	2.50	0.25	16.00	1.37	680.00	8026.90
1618F-17	12"	DN300	11.75	33.00	58.66	28.35	22.00	19.25	15.00	2.62	0.25	20.00	1.37	890.00	11682.00

\*WEIGHT IS ESTIMATED  
\*ALL DIMENSIONS ARE EXPRESSED IN INCHES



Scan the QR CODE to see our available studs and gasket.